

32.768 kHz LOW FREQUENCY SMD CRYSTAL

PMX-405/406

Pb in High Temperature Solder
(exempt per RoHS 2002/95/EC Annex (7))

RoHS
Compliant

FEATURES 特性:

- Plastic molded SMD 塑料封装圆柱形晶体
- 3.6 mm height ideal for high density circuit boards 3.6高度
- Suitable for RoHS compliant reflow 适合回流焊
- Extended temperature -40°C to +85°C for industrial applications 宽温的工业应用

APPLICATIONS 应用:

- Clock and Microcomputer 时钟和微处理器

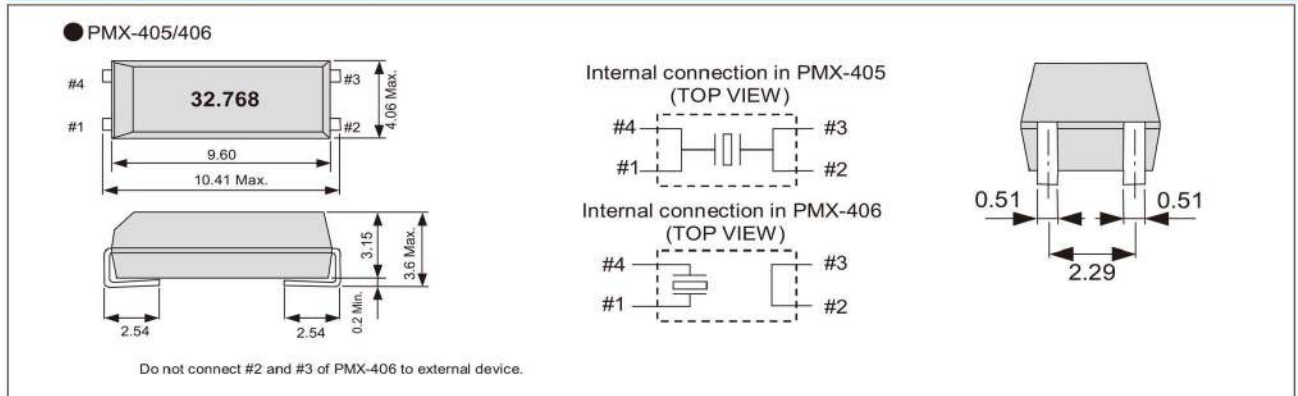
STANDARD SPECIFICATIONS 标准参数:

Item	Symbol	Specifications		Conditions / Remarks
Nominal frequency range 中心频率	f _{nom}	32.768 kHz	25 kHz to 307.20 kHz	Please contact us regarding available frequencies
Storage temperature 储存温度	T _{stg}	-55 °C to +125 °C		Store as bare product.
Operating temperature 工作温度	T _{use}	-40 °C to +85 °C		
Level of drive 激励功率	DL	1.0 μW Max.		
Frequency tolerance (standard) 调整频率	f _{tol}	±20 × 10 ⁻⁶ , ±50 × 10 ⁻⁶	±50 × 10 ⁻⁶ , ±100 × 10 ⁻⁶	+25 °C, DL=0.1 μW
Turnover temperature 拐点温度	T _i	+25 °C ±5 °C		
Parabolic coefficient 温度系数	B	-0.04 × 10 ⁻⁶ / °C ² Max.		
Load capacitance 负载电容	CL	6 pF to ∞ (standard :12.5 pF)		Please specify
Motional resistance (ESR) 等效电阻	R ₁	50 kΩ Max.	As per below table	
Motional capacitance 动态电容	C ₁	2.0 fF Typ.	4.0 fF to 0.6 fF	PMX-405
		2.0 fF Typ.		PMX-406
Shunt capacitance 静态电容	C ₀	0.9 pF Typ.	2.0 pF to 0.6 pF	PMX-405
		0.85 pF Typ.		PMX-406
Frequency aging 老化率	f _{age}	±3 × 10 ⁻⁶ / year Max.	±5 × 10 ⁻⁶ / year Max.	+25 °C, First year

Motional resistance (ESR)

Frequency	20 kHz ≤ f _{nom} < 31.2 kHz	31.2 kHz ≤ f _{nom} < 40 kHz	40 kHz ≤ f _{nom} < 90 kHz	90 kHz ≤ f _{nom} < 130 kHz	130 kHz ≤ f _{nom} ≤ 307.2 kHz
Motional resistance	55 kΩ Max.	35 kΩ Max.	20 kΩ Max.	12 kΩ Max.	10 kΩ Max.

External dimensions (Unit:mm)



Footprint(Recommended)

